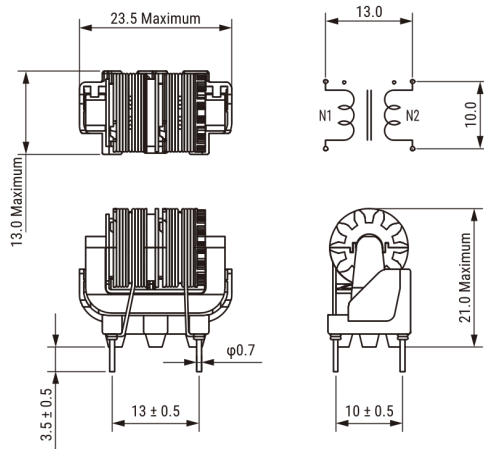


## SSR10VS-13075

Aliases (UALR10VS130750)

KEMET, SSR10VS/HS, AC Line Filters, Common Mode, 7.5 mH



Click [here](#) for the 3D model.

### Dimensions

L	23.5mm MAX
T	13mm MAX
H	21mm MAX
LL	3.5mm +/-0.5mm
S	13mm +/-0.5mm
S1	10mm +/-0.5mm
Wire Size	0.37mm

### Packaging Specifications

Packaging	Tray
Packaging Quantity	600
Typical Component Weight	9 g

### General Information

Series	SSR10VS/HS
Style	Through-Hole
Features	Compact Size, Low Profile, Light Weight, High Frequency, Broad Bandwidth
RoHS	Yes
Miscellaneous	50 (K) Temperature Rise Max.
Core	Mn-Zn Ferrite

### Specifications

Voltage AC	250 VAC
Inductance	7.5 mH (10 kHz)
Current	1.3 A
Temperature Range	-25/+120°C
DC Resistance	0.24 Ohms