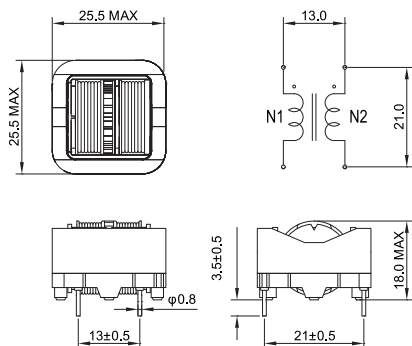


KEMET Part Number: SSRH24NH-40069
(UALS24H4006900)

KEMET, SSRH24NV/NH, AC Line Filters, Common Mode, 6900 uH



Dimensions

L	25.5mm MAX
T	25.5mm MAX
H	18mm MAX
LL	3.5mm +/-0.5mm
S	13mm NOM
S1	21mm NOM

Packaging Specifications

Packaging:	Tray
Packaging Quantity:	300
Weight:	22.5 g

General Information

Series:	SSRH24NV/NH
Style:	Through-Hole
Features:	Compact Size, Light Weight, Low Rdc, Ultra-High Impedance
RoHS:	Yes
Miscellaneous:	65 (K) Temperature Rise Max.

Specifications

Voltage AC:	250 VAC
Inductance:	6.9 mH (10 kHz)
Current:	4 A
Temperature Range:	-25/+120°C
DC Resistance:	57 mOhms